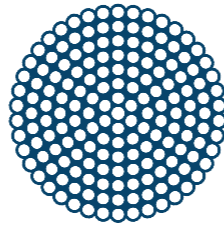


BRIDON

High-quality steel wire ropes for surface mining applications



Galvanized Structural Strand

Strand Diameter		Approx. Metallic Area		Weight Approx.		Minimum Breaking Force	
in	mm	sq. in.	sq. mm	lbs/ft	kg/m	tons (2000 lbs)	metric tons
1/2	12.7	0.15	97	0.52	0.80	15	14
5/8	15.9	0.23	148	0.82	1.20	24	22
3/4	19.1	0.34	219	1.18	1.80	34	31
7/8	22.2	0.46	297	1.61	2.40	46	42
1	25.4	0.60	387	2.10	3.10	61	55
1-1/8	28.6	0.76	490	2.66	4.00	78	71
1-1/4	31.8	0.94	606	3.28	4.90	96	87
1-3/8	34.9	1.13	729	3.97	5.90	116	105
1-1/2	38.1	1.35	871	4.73	7.00	138	125
1-5/8	41.3	1.59	1026	5.55	8.30	162	147
1-3/4	44.5	1.84	1187	6.43	9.60	188	171
1-7/8	47.6	2.11	1361	7.39	11.00	216	196
2	50.8	2.40	1548	8.40	12.50	245	222
2-1/8	54.0	2.71	1748	9.49	14.10	277	251
2-1/4	57.2	3.04	1961	10.64	15.80	310	281
2-3/8	60.3	3.38	2181	11.85	17.60	344	312
2-1/2	63.5	3.75	2419	13.13	19.50	376	341
2-5/8	66.7	4.13	2665	14.47	21.50	417	378
2-3/4	69.9	4.54	2929	15.88	23.60	452	410
2-7/8	73.0	4.96	3200	17.36	25.80	494	448
3	76.2	5.40	3484	18.90	28.10	538	488
3-1/8	79.4	5.86	3781	20.51	30.50	584	530
3-3/4	82.6	6.34	4090	22.18	33.00	625	567
3-3/8	85.7	6.83	4406	23.92	35.60	673	611
3-1/2	88.9	7.35	4742	25.73	38.30	724	657
3-5/8	92.1	7.88	5084	27.60	41.10	768	697
3-3/4	95.3	8.44	5445	29.53	43.90	822	746
3-7/8	98.4	9.01	5813	31.53	46.90	878	797
4	101.6	9.60	6194	33.60	50.00	925	839
4-1/4	108.0	10.80	6968	37.90	56.40	1040	943
4 3/8	111.1	11.50	7419	40.20	59.80	1100	998
4-1/2	114.3	11.80	7613	41.30	61.50	1140	1034
4-3/4	120.7	13.00	8387	45.50	67.70	1300	1179

All statements, technical information and recommendations contained herein are believed to be reliable, but no guarantee is given as to their accuracy and/or completeness. The user must determine the suitability of the product for his own particular purpose, either alone or in combination with other products and shall assume all risk and liability in connection therewith.

Whilst every attempt has been made to ensure accuracy in the content of the tables, the information contained in this catalogue does not form part of any contract.

280 New Commerce Blvd.
Wilkes Barre, PA 18706, USA
Phone: +1 800 521 5555 Fax: +1 800 233 8362
bridon@bridonamerican.com

Magdeburger Straße 14a
D-45881, Gelsenkirchen, Germany
Phone: +49(0) 209 8001 0 Fax: +49(0) 209 8001 275
info@bridon.de

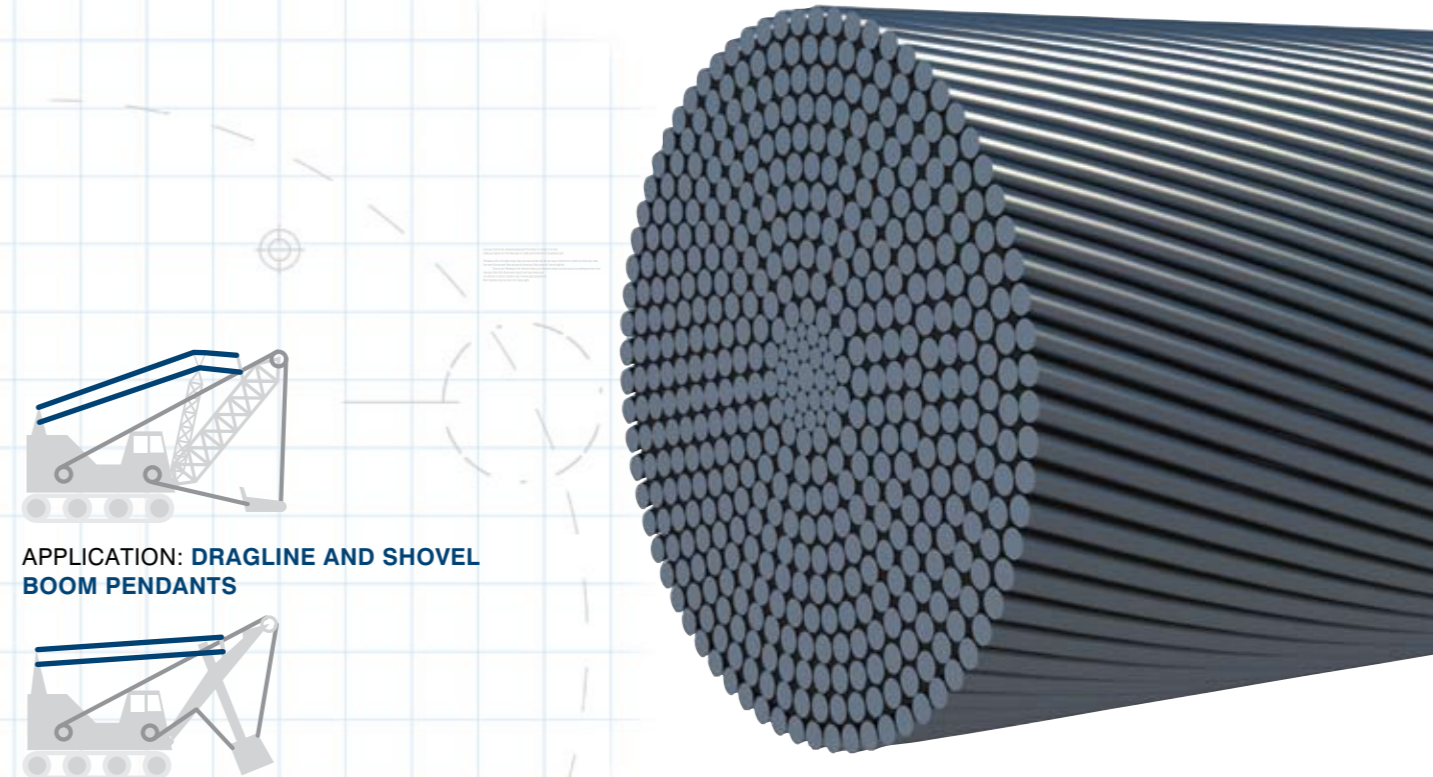
Corporate: www.bridon.com
Americas: www.bridonamerican.com

08/2008 Edition 1

BRIDON

High-quality steel wire ropes for surface mining applications

Structural Strand & Sockets



APPLICATION: DRAGLINE AND SHOVEL BOOM PENDANTS

Galvanized Structural Strand

- To ASTM A-586 for boom support pendants
- Usually supplied prestressed
- Cut-to-length and paint striped
- Parallel contact core construction with amorphous polypropylene lubricant available
- Class A zinc-coated wire

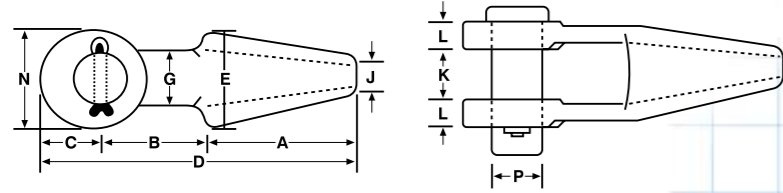
Open Spelter Sockets

Open Strand Bridge Sockets



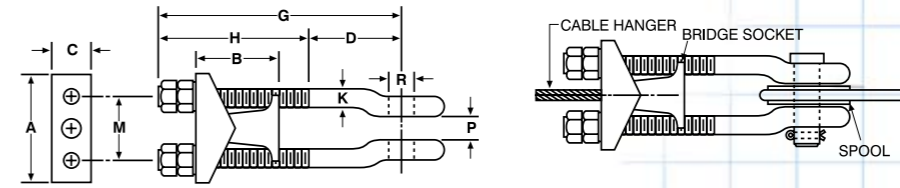
BRIDON

High-quality steel wire ropes for surface mining applications



Open Spelter Sockets

TABLE OF DIMENSIONS													
Strand Diameter, In.	Rope Diameter, In.	A In.	B In.	C In.	D In.	E In.	G In.	J In.	K In.	L In.	N In.	P In.	Approx. Weight, Lbs.
1/2	9/16 & 5/8	3	2-1/2	1-1/4	6-3/4	2-1/4	1-1/4	1 1/8	1-1/4	9/16	2-1/4	1-3/16	3.8
9/16 & 5/8	3/4	3-1/2	3	1-7/16	7-15/16	2-5/8	1-1/2	1-1/4	1-1/2	5/8	2-5/8	1-3/8	6.0
11/16 & 3/4	7/8	4	3-1/2	1-3/4	9-1/4	3-1/8	1-3/4	1-1/2	1-3/4	3/4	3-1/8	1-5/8	10.0
13/16 & 7/8	1	4-1/2	4	2-1/16	10-9/16	3-5/8	2	1-3/4	2	7/8	3-3/4	2	15.0
15/16 & 1	1-1/8	5	4-1/2	2-5/16	11-13/16	4	2-3/8	2	2-1/4	1	4-1/8	2-1/4	23.0
1-1/16 & 1-1/8	1-1/4 & 1-3/8	5-1/2	5	13-3/16	13-3/16	4-5/8	2-3/4	2-1/4	2-1/2	1-1/8	4-3/4	2-1/2	32.0
1-3/16 & 1-1/4	1-1/2	6	6	3-1/8	15-1/8	5-1/4	3	2-3/4	3	1-3/16	5-3/8	2-3/4	47.0
1-5/16 & 1-3/8	1-5/8	6-1/2	6-1/2	3-1/4	16-1/4	5-1/2	3-1/4	3	3	1-5/16	5-3/4	3	55.0
1-7/16 & 1-5/8	1-3/4 & 1-7/8	7-1/2	7	3-3/4	18-1/4	6-3/8	3-7/8	3-1/8	3-1/2	1-9/16	6-1/2	3-1/2	85.0
1-11/16 & 1-3/4	2 & 2-1/8	8-1/2	9	4	21-1/2	7-3/8	4-1/4	3-3/4	4	1-13/16	7	3-3/4	125.0
1-13/16 & 1-7/8	2-1/4 & 2-3/8	9	10	4-1/2	23-1/2	8-1/4	4-3/8	4	4-1/2	2-1/8	7-3/4	4-1/4	165.0
1-15/16 & 2-1/8	2-1/2 & 2-5/8	9-3/4	10-3/4	5	25-1/2	9-1/4	4-5/8	4-1/2	5	2-3/8	8-1/2	4-3/4	252.0
2-3/16 & 2-7/16	2-3/4 & 2-7/8	11	11	5-1/4	27-1/4	10-3/4	4-7/8	4-7/8	5-1/4	2-7/8	9	5	315.0
2-1/2 & 2-5/8	3 & 3-1/8	12	11-1/4	5-3/4	29	11-1/4	5-1/4	5-1/4	5-3/4	3	9-1/2	5-1/4	380.0
2-3/4 & 2-7/8	3-1/4 & 3-3/8	13	11-3/4	6-1/8	30-7/8	12-1/4	5-3/4	5-3/4	6-1/4	3-1/8	10	5-1/2	434.0
3 & 3-1/8	3-1/2 & 3-5/8	14	12-1/2	6-3/4	33-1/4	13	6-1/4	6-1/2	6-3/4	3-1/4	10-3/4	6	563.0
3-1/4 & 3-5/8	3-3/4 & 4	15	13-1/2	7-3/4	36-1/4	14-1/4	7	7-1/4	7-1/2	3-1/2	12-1/2	7	783.0
3-3/4 & 4	•	16	15	7-3/4	38-3/4	15-1/4	8-1/2	7-3/4	8	3-3/4	14	7-1/4	1018.0
4-1/8 & 4-3/8	•	17	15-1/2	8-3/4	41-1/4	16-1/4	9	8-3/4	9	4-1/8	15-1/2	8-1/4	1186.0



Open Strand Bridge Sockets

TABLE OF DIMENSIONS													
Strand Diameter, In.**	Standard Take-up, In.	A In.	B In.	C In.	Wt., Lb.	M In.	H* In.	G* In.	K In.	P In.	R In.	D In.	Total Weight, Lbs.
1/2	8	4-3/16	3-3/32	2-11/32	6.1	3	9-1/2	16-3/4	3/4	1-3/16	1-1/4	7-1/4	12.2
9/16 & 5/8	8	4-31/32	3-21/32	2-9/16	6.4	3-1/2	9-3/4	18	7/8	1-3/8	1-7/16	8-1/4	17.3
11/16 & 3/4	10	5-21/32	4-7/32	2-25/32	8.2	4	12	21-1/2	1	1-5/8	1-11/16	9-1/2	25.0
13/16 & 7/8	10	6-13/16	4-13/16	3-1/32	11.0	4-1/2	12-1/4	23-1/2	1-1/4	2	2-1/16	11-1/4	39.3
15/16 & 1	12	9-1/4	5-13/32	3-7/32	19.0	7	14-1/2	27-1/2	1-3/8	2-1/2	2-9/16	13	61.6
1-1/16 & 1-1/8	12	9-15/32	6-1/32	3-19/32	23.0	7	14-3/4	28-1/2	1-1/2	2-1/2	2-9/16	13-3/4	74.6
1-3/16 & 1-1/4	12	10-1/16	6-11/16	3-31/32	29.0	7-1/4	15-1/4	30-1/4	1-3/4	2-3/4	2-13/16	15	103.0
1-5/16 & 1-3/8	12	10-11/16	7-11/32	4-3/8	41.2	7-1/2	15-1/2	32	2	3	3-1/16	16-1/2	142.2
1-7/16 & 1-1/2	15	11-1/4	8	4-3/4	46.0	7-3/4	19	37	2-1/4	3-1/2	3-9/16	18	191.0
1-9/16 & 1-5/8	15	11-5/8	8-11/16	5-5/32	60.0	8	19	38	2-1/4	3-1/2	3-9/16	19	210.0
1-11/16 & 1-3/4	18	12-15/32	9-11/32	5-9/16	74.0	8-1/2	22-1/2	43	2-1/2	3-3/4	3-13/16	20-1/2	276.0
1-13/16 & 1-7/8	18	13-9/16	10-1/32	5-31/32	91.0	22-1/2	44	2	2-1/2	4	4-1/16	21-1/2	209.0
1-15/16 & 2	18	13-15/16	10-21/32	6-11/32	111.0	9-1/2	22-3/4	45-3/4	2-3/4	4-1/4	4-5/16	23	387.0
2-1/16 & 2-1/8	18	15-1/16	11-11/32	6-3/4	131.0	10-1/4	23-1/4	47-1/2	3	4-1/2	4-9/16	24-1/4	469.0
2-3/16 & 2-1/4	18	15-1/8	12	7-1/8	155.0	10-1/4	23-1/4	48-1/2	3	4-3/4	4-13/16	25-1/4	509.0
2-5/16 & 2-3/8	18	16-1/2	12-5/8	7-1/2	180.0	11-1/4	23-3/4	50-1/2	3-1/4	5	5-1/16	26-3/4	609.0
2-7/16	18	17-5/8	13-7/32	7-7/8	207.0	11-1/4	23-3/4	51-1/4	3-1/4	5	5-1/16	27-1/2	640.0
2-1/2	18	17-5/8	13-7/32	7-7/8	207.0	11-1/4	23-3/4	51-3/4	3-1/4	5-1/4	5-5/16	28	660.0
2-9/16 & 2-5/8	18	17-11/16	13-29/32	8-9/32	238.0	12	24-1/4	53-1/4	3-1/2	5-1/4	5-5/16	29	763.0
2-3/4	18	18-1/16	14-1/2	8-5/8	274.0	12	24-1/2	55	3-3/4	5-1/2	5-9/16	30-1/2	893.0
2-7/8	18	19-21/32	15-1/8	9	314.0	13-1/2	24-1/2	55-3/4	3-3/4	5-1/2	5-9/16	31-1/4	944.0
3	18	20	15-25/32	19-13/32	360.0	13-1/2	25	57-3/4	4	6	6-1/6	32-3/4	1113.0
3-1/8	24	22-1/8	16-7/16	9-25/32	390.0	15-1/2	31	64-1/2	4	6	6-1/16	33-1/2	1207.0
3-1/4	24	22-1/2	17	10-1/8	400.0	15-1/2	31-1/4	68-1/2	4-1/4	7	7-1/16	37-1/4	1413.0
3-3/8	24	23-3/4	7-11/16	10-17/32	455.0	16-1/2	31-3/4	71-1/2	4-1/2	7	7-1/16	39-3/4	1615.0
3-1/2	24	23-7/8	18-5/16	10-15/16	598.0	16-1/2	31-3/4	71-1/2	4-1/2	7	7-1/16	39-3/4	1756.0
3-5/8	24	25-1/4	18-7/8	11-1/4	633.0	17-1/2	32	73-1/4	4-3/4	7	7-1/16	41-1/4	1958.0
3-3/4	24	27-3/8	19-1/2	11-9/16	723.0	17-1/2	32	75	4-3/4	7-1/2	7-9/16	43	2103.0
3-7/8	24	27-3/8	20-3/16	11-13/32	728.0	18-1/2	32-1/2	76-1/4	5	7-1/2	7-9/16	43-3/4	2297.0
4	24	29-1/8	20-3/4	12-5/16	850.0	18-1/2	32-1/2	76-3/4	5	7-1/2	7-9/16	44-1/4	2370.0

*Can be furnished in other lengths as required. Pin not supplied unless specifically ordered. Pin diameters are 1/16 in. smaller than dimension R.
 ** Larger sizes available upon request.