



Mining in *motion.*

[www.lnh.net](http://www.lnh.net)



## L&H Industrial has built its reputation on providing superior aftermarket parts for electric rope shovels.

For more than three decades L&H Industrial has been designing, improving, engineering, manufacturing and remanufacturing high performance aftermarket parts for shovels. L&H parts have a proven track record of quality and performance. We are proud to have delivered innovation and improved productivity to the mining industry. Our work has set the standard for others to follow.

### **This is what L&H Industrial does.**

We have dedicated thousands of man hours to create new ideas, parts and system improvements and manufacturing processes to bring innovation to the shovel parts and repair market. L&H Industrial stands true to our principles of honesty, integrity, loyalty and respect for our employees and customers. Shovel parts and service are a vital part of our mission in taking care of our people and our customers.

**And that's why L&H Industrial is mining in *motion*.**





L&H Industrial shovel parts are *guaranteed to **meet or exceed*** OEM performance and quality specifications.

## Shovel Parts

L&H Industrial is your parts supplier for a wide range of systems:

- Shafts
- Pinion Shafts
- Final Drives
- Drive Tumblers
- Rollers
- Crawler Shoes
- Idlers
- Bushings
- Thrust Washers
- Gears
- Swing Racks
- Racks & Pinions
- Sprockets
- Castings
- Forgings
- Fabrications

## Manufacturing & Repair

L&H Industrial designs and manufactures superior quality parts for rope shovels. We also specialize in parts remanufacture and repair.

## Field Service

L&H Industrial offers complete field machining, welding, crane, rigging and field mechanical services to our regional customers.

L&H Industrial  
**KNOWS**  
rope shovel parts and  
repairs.

MEASURE & RECORD  
HARDNESS OF HUB  
ON BOTH SIDES

HANDLING HOLES  
3X Ø2.50, EQ. SP.  
DN Ø40.50 B.C.



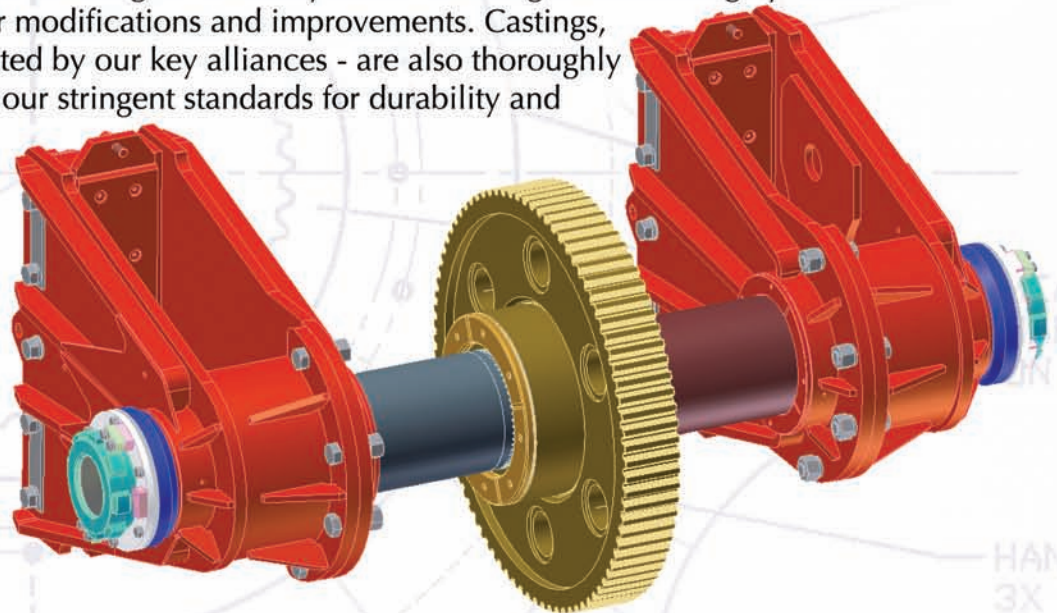
# Rope Shovel Parts

L&H Industrial is your parts supplier for a wide range of rope shovel parts and systems.

L&H's OEM-alternative parts are all engineered to our strictest specifications. We test, re-test, and constantly improve every part we sell. Unlike other manufacturers, L&H Industrial takes reliability to an entirely new level - we engineer it ourselves. Our in-house department utilizes the latest software to design entirely new parts if the existing ones aren't up to our standards. No OEM part is overlooked when it comes to ensuring its reliability either. Our engineers thoroughly examine every angle and composite for modifications and improvements. Castings, forgings and gears - parts created by our key alliances - are also thoroughly inspected to insure they meet our stringent standards for durability and quality. There's no such thing as average for L&H Industrial.

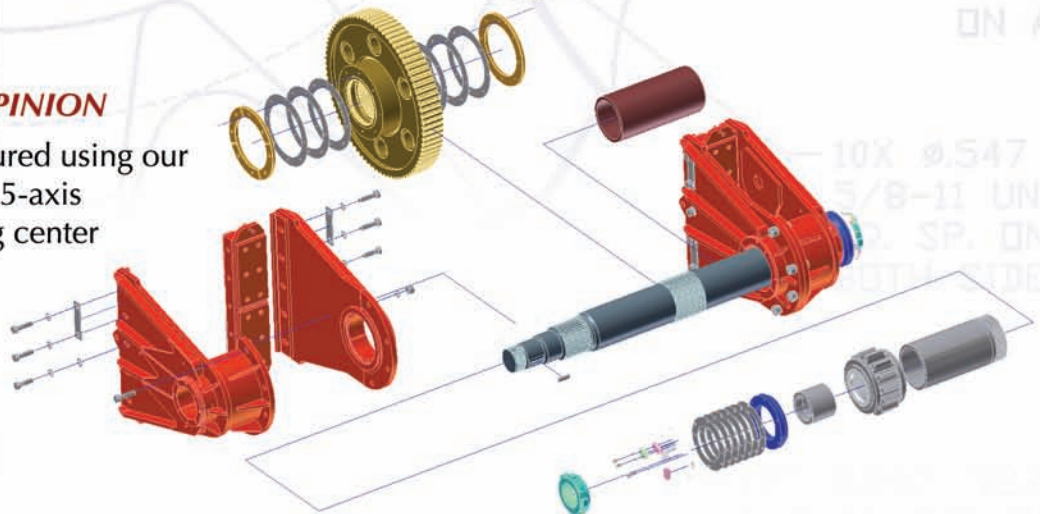
## SHIPPER SHAFT ASSEMBLY

New and remanufactured saddle blocks, shipper shaft and crowd gearing.



## CROWD PINION

Manufactured using our advanced 5-axis machining center



*Parts are available individually or as a complete assembly, prepared by qualified MTR technicians in our cutting-edge manufacturing centers.*



**There's no such thing as average for L&H Industrial.**



# Omega Swing System

Components include replacement and third rail systems, advanced metallurgy and redesigned components to reduce stress concentrators, improve services and extend component life.

Our L&H Omega Premium Swing System is proven in the field. With more than three dozen installations worldwide the results are in; it is the longest lasting, most reliable swing system on the market today. Why? It's the little things. Or more precisely, it's a lot of little things and a few major innovations that add up to premium performance and greater profitability for you. Like replaceable thrust rails. Fragment relief channels. Forged vanadium construction. An optional split design for installation without full machine separation with no loss of strength. An investment in L&H Omega Premium Parts provides you with cutting-edge innovation, proven production and performance, detail-oriented customer support and the lowest cost of ownership in the industry today.

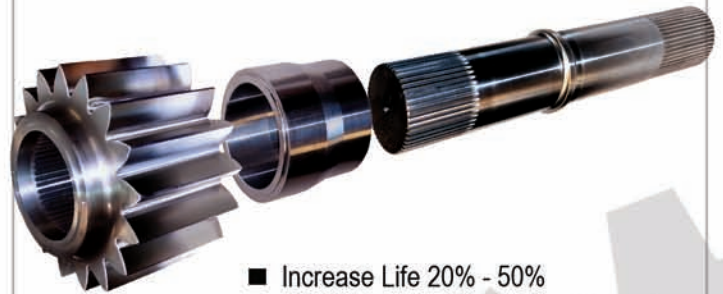


## Swing Gears - Rails - Rollers



- 300% More Thrust Surface
- Universal Bolt Pattern - Allows you to rotate 90 degrees
- Replaceable Thrust Rails
- Heavy Duty Upper Rails

## Swing Shafts - Pinions



- Increase Life 20% - 50%
- Positive Stop - Never Lose Preload
- Eliminate Stress Risers
- Precision Tooth Taper
- Pre-Assembled Units Available

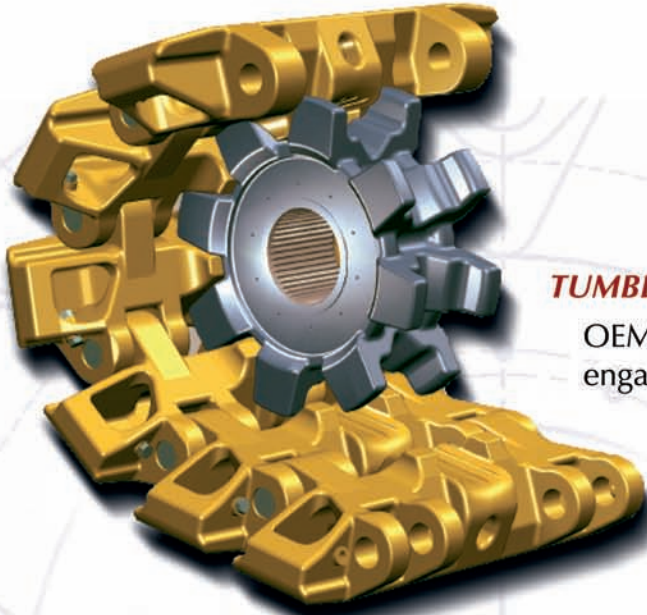
**L&H ΩMEGA**  
PREMIUM PRODUCTS

The L&H Omega Premium Products badge is awarded to the highest performing mining parts available anywhere in the world. With unprecedented attention to detail, our L&H Omega team has taken the time to research how mining machines move and how they break down. Then we take the data and quality engineer and manufacture solutions that last. Look for the L&H Omega badge. It means you will benefit from products with the highest productivity and the lowest cost of ownership



# Omega Drive System

L&H Industrial's Omega Drive System far exceeds the performance of other crawler shoes and drive sprockets on the market today.

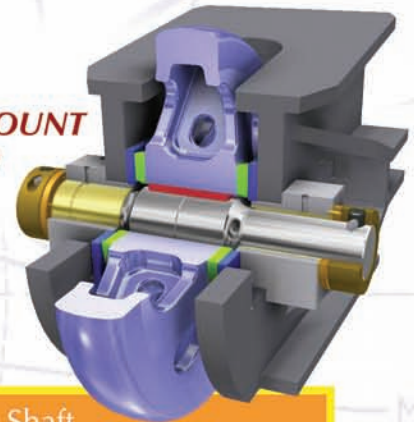


## TUMBLER ASSEMBLY

OEM and upgrade deep engagement drive system.



## STRADDLE MOUNT FRONT IDLER



L&H Industrial's Omega Drive Systems for CAT/BE and P&H shovels feature deep engagement driving lugs which provide **TWICE** the contact surface. Enhanced pin performance **increases shoe life by 30%**. These features combine with metallurgical enhancements to greatly extend wear life, reduce maintenance, and require no side frame modifications for installation.

- Keyed to Shaft
- 13% Increase in Bearing Surface
- No need to break tracks
- Increase Maintenance Intervals 100%-300%



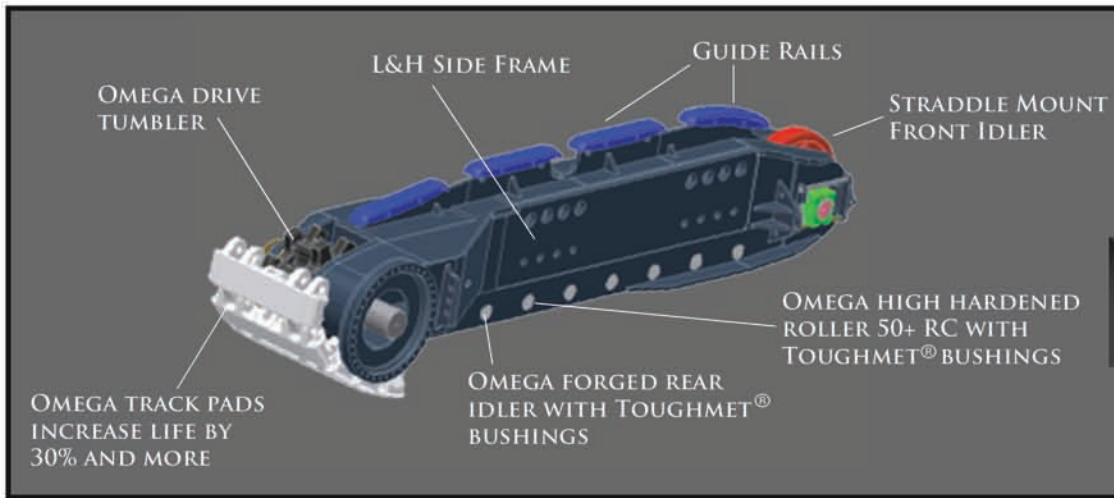
**L&H Industrial**

Mining in motion.



# Omega Undercarriages

Improvements over original design include Omega drive systems, straddle mount front idler, long life lower rollers, reinforced frame construction and extended life return sides.



**L&H OMEGA  
CRAWLER ASSEMBLY**

**L&H OMEGA  
PREMIUM PRODUCTS**

## **ENGINEERING AND DESIGN CAPABILITIES**

At L&H, we provide engineered solutions to problems that slow or stop rope shovel and dragline operations. Using the latest in 3D design and analysis software, our experienced engineering team develops alternative replacement parts for severe wear, service and problematic OEM components. Aging machines' lives are extended through quality replacement parts and upgrades to maximize productivity and minimize downtime. L&H Engineering is committed to quality with products that fit, products that work and products with proven, superior performance.



## **MORE THAN \$20 MILLION DOLLARS IN INVENTORY**



[www.lnh.net](http://www.lnh.net)





# Our Parts are Cast to Perform

Superior parts begin with a superior casting or forging.

L&H Industrial holds its casting and forging suppliers to the same stringent standards that we demand of ourselves. We only partner with those vendors who are certified and as committed to quality as we are.



***IF IT CARRIES THE L&H INDUSTRIAL NAME, IT MUST BE THE VERY BEST.***



We utilize casting simulation and optimization software to ensure the highest level of quality is built into our designs.



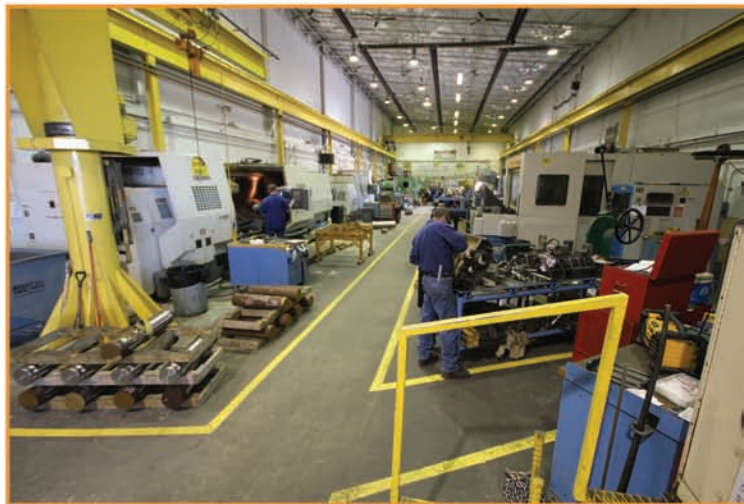
***L&H OMEGA  
4100 BOOM***



**L&H Industrial**  
Mining in motion.

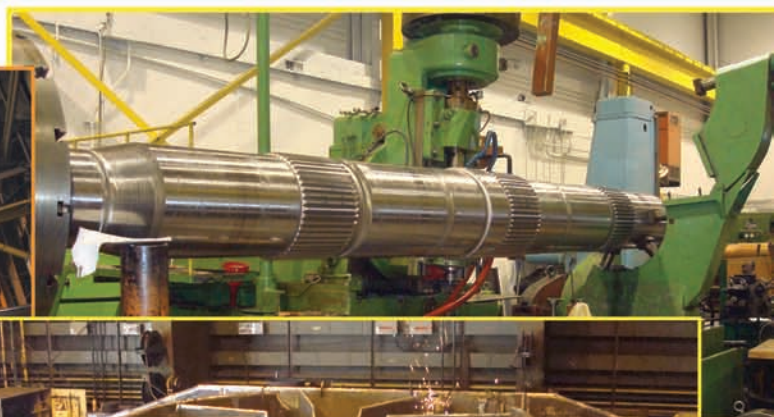


# More than 4 Acres of Manufacturing Power



## **MANUFACTURING AND REMANUFACTURING**

L&H Industrial's manufacturing and repair centers in Gillette, Wyoming, and Phoenix, Arizona contain the latest in machining and welding equipment, enabling us to install our parts on even the largest mining equipment. Our horizontal and vertical manual and CNC mills handle parts up to 10 feet high and 40 feet wide. The CNC machining center accommodates parts 14' long and 26" in diameter. And our welding shop is staffed with certified welders and equipped with 120 ton crane capacity. The facilities run 24/7 so there's always a crew to handle your repairs, no matter how large.



**301M CARBODY**



# Manufacturing & Remanufacturing

World-class global manufacturing centers. World-class machinists and welders.



**Manufacturing & Repair center  
in Gillette, Wyoming, USA.**

**Manufacturing & Repair center  
in Phoenix, AZ, USA.**



L&H Industrial's facilities in Gillette, WY and Phoenix, AZ, have a combined 185,000 square feet. They contain the latest in machining and welding equipment with CNC capabilities, enabling us to manufacture our parts for the largest mining equipment in the world. Our horizontal and vertical manual and CNC mills accommodate up to 10 feet high and 40 feet wide. The CNC machining center easily handles parts 14' long and 26" in diameter. Our welding shop is manned with certified welders and equipped with 120 ton hoist capacity. The facilities run 24/7 so there's always an experienced, capable and qualified crew to handle your repairs, no matter how large. With the recent addition of the 5-axis Ravensburg lathe and the Hofler gear grinder we can ensure the highest standards for gearing and shafting are being met.



**RAVENSBURG 55" x 354"  
CNC LATHE**



**HOFLER 6-METER  
FORM GEAR GRINDER**



**Mining in motion.**



# Field Services

We know that equipment downtime is not an option. That's why our field service teams are always up and running, to respond to your needs wherever and whenever.

Field service is a critical component of L&H Industrial's commitment to our customer's work. Our on-site field service specialists come right to you with all the necessary equipment for the job at hand.



We run a 24-man crew with service available 24/7. Complete field machining, welding, crane, rigging and mechanical services are all offered to our regional customers.

Our portable milling machines, boring machines, drilling and tapping equipment can be brought to your worksite with certified operators and crews to repair what's needed. And with 50 AWS certified welders available 24/7, our field welding units are at your beck and call.

Field Service  
WHERE you NEED it,  
WHEN you want it.



[www.lnh.net](http://www.lnh.net)





## Mission

Taking care of our people and our customers

## Vision

Be a world class company

## Values

Honesty, integrity, loyalty and respect

Safety, productivity, innovation and accountability

Our employees and their families

Going the extra mile and giving people more than they expect

### Gillette, Wyoming

913 L&J Court  
Gillette, WY 82718 USA  
Tel: (307) 682-7238  
Fax: (307) 686-1646

### Phoenix, Arizona

1710 W. Broadway  
Tempe, AZ 85282 USA  
Tel: (480) 968-6141  
Fax: (480) 894-2644

### Tucson, Arizona

691 E. 20th St. Suite 121  
Tucson, AZ 85719 USA  
Tel: (520) 882-8007  
Fax: (520) 882-5433

### Sheridan, Wyoming

1909 Commercial Ave  
Sheridan, WY 82801 USA  
Tel: (307) 674-4431  
Fax: (307) 674-4510

### L&H Mexico

Ave. Juarez #36  
Cananea, Sonora 84620 Mexico  
Tel: 011 (52) 645-332-6161  
Fax: 011 (52) 645-332-5083

### L&H Chile

18 De Septiembre #490  
Antofagasta, Chile  
Tel: 011 (56) 55-560156

### L&H Australia Pty Ltd

Unit 3/16 Transport Ave.  
Nexus Business Park  
Paget, Mackay QLD 4740  
Tel: 011 (61) 7-4952-5855



**Mining in motion.**

Creating reliability through enhanced design in the mining industry.

www.lnh.net email: info@lnh.net 